

SERVICE MANUAL



COMPACT DISC AUDIO COMPONENT SYSTEM WITH WIRELESS REMOTE CONTROL RTAD-M95

TAD-M95

(EUROPE/FRANCE)



132 358 45 (Black)
132 358 46 (White)
132 358 47 (France)

SPECIFICATIONS

Tuner Section

FM

Frequencies received 87.50 ~ 108.00 MHz
DIN practical sensitivity (mono) 1.2 μ V
S/N ratio 70 dB (mono, 1 mV, 40K DEV.)
Total Harmonic Distortion 0.1 % (mono, 1 kHz)
Stereo separation 40 dB (1 kHz)
Image frequency interference ratio 70 dB

AM

Frequencies received 522 ~ 1611 kHz
Practical sensitivity 700 μ V/m
S/N ratio 55 dB
Image frequency interference ratio 35 dB
Selectivity 35 dB
IF interference ratio 65 dB

Amplifier Section

Output power (Front) 55 W (T.H.D 0.9 %)
Input sensitivity/impedance
PHONO 2.8 mV/50 k Ω
AUX 230 mV/50 k Ω

DECK Section

Motor DC motor (DECK 1 and DECK 2)
Head Hi-B hard permalloy head
(DECK 1 playback head, DECK 2 recording head)
Ferrite head (DECK 2 erasing head)
Fast-forward/rewind time Approx. 110 sec. (C-60 tape)
Tracks 4-track, 2-channel stereo
S/N ratio (playback) 45 dB
Frequency response 40 Hz ~ 14 kHz (metal tape)
Wow and flutter 0.18 % (JIS WTD)

CD Player Section

Frequency response 20 Hz ~ 20 kHz
Harmonic distortion Less than 0.04 % (1 kHz)
S/N ratio 95 dB
Wow and flutter Below measurable limits
Optical pickup 3-beam laser
Error correction CIRC
Sampling frequency 44.1 kHz
D/A conversion 16-bit linear
Filter 8 Times Over Sampling Digital filter

General

Power requirements AC: 220 V, 50 Hz
Power consumption 300 W
Dimensions (WxHxD) 360 x 355 x 309 mm
Weight (approx.) 10.0 kg

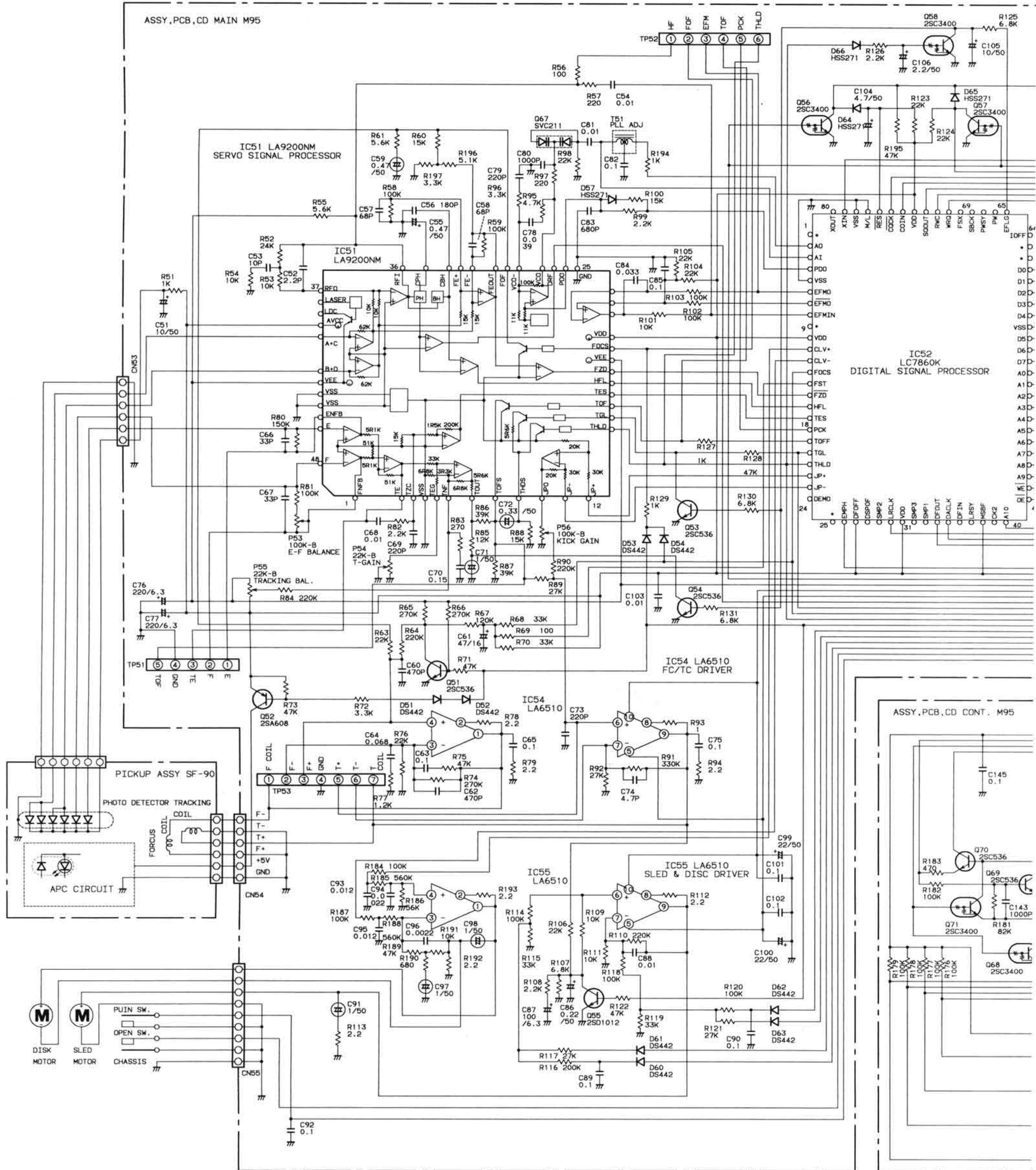
Dolby is a registered trademark of Dolby Laboratories Licensing Corporation.

— Specifications and design are subject to change without notice. —

REFERENCE No. WM-570544

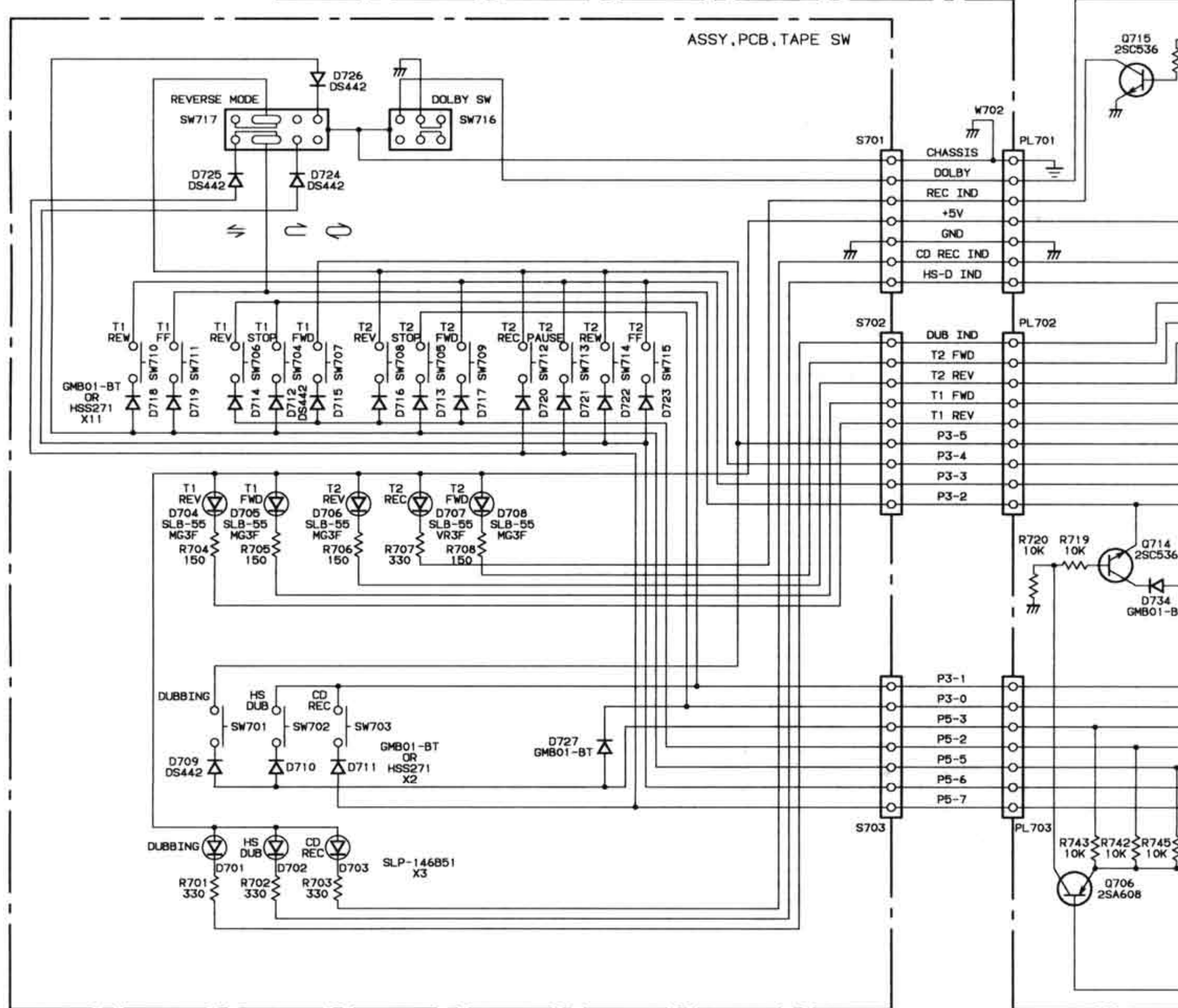
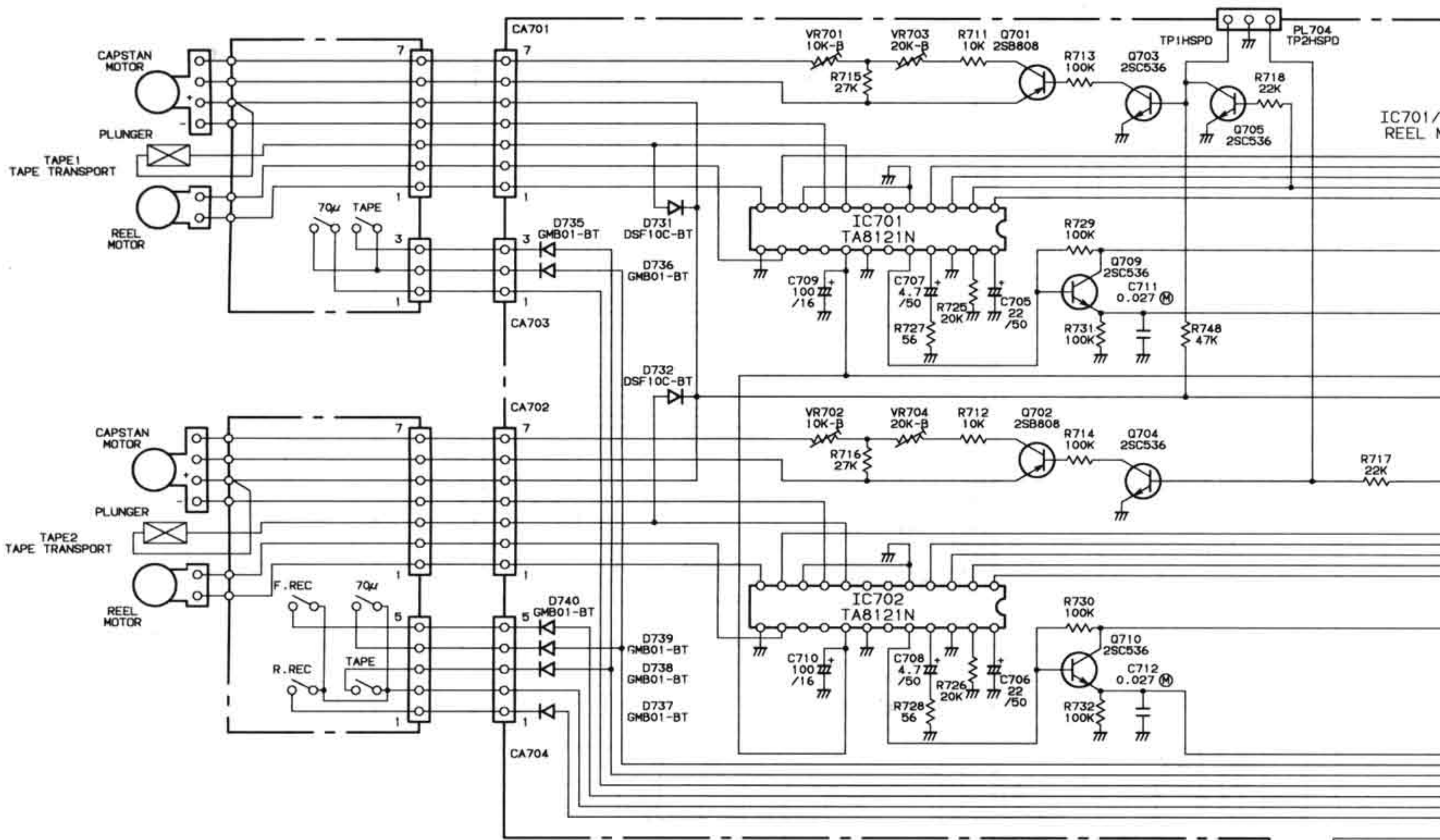
SCHEMATIC DIAGRAM (CD Play

ASSY,PCB,CD MAIN M95

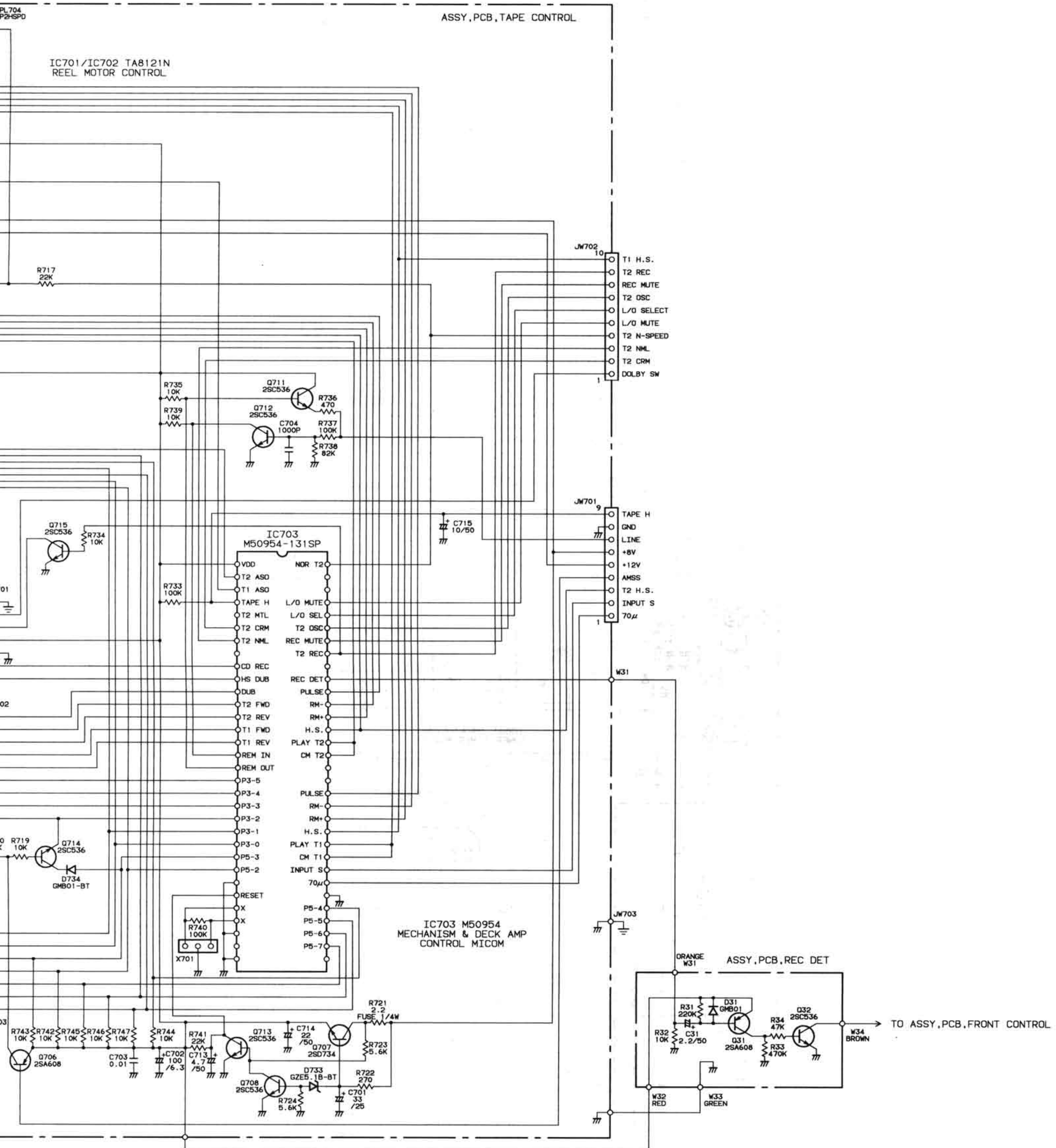


ASSY,PCB,CD CONT. M95

SCHEMATIC DIAGR

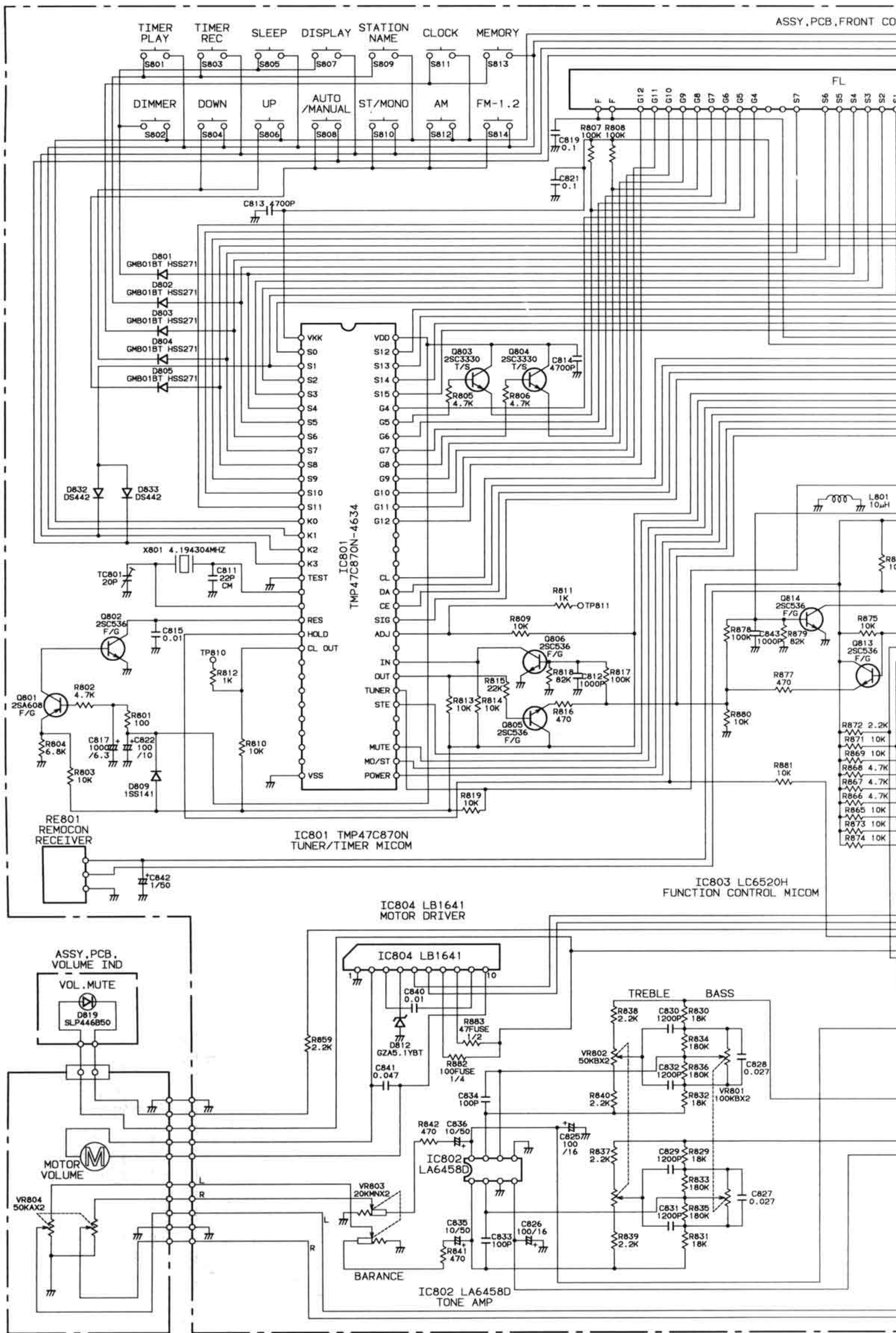


C DIAGRAM (Tape Deck Section)



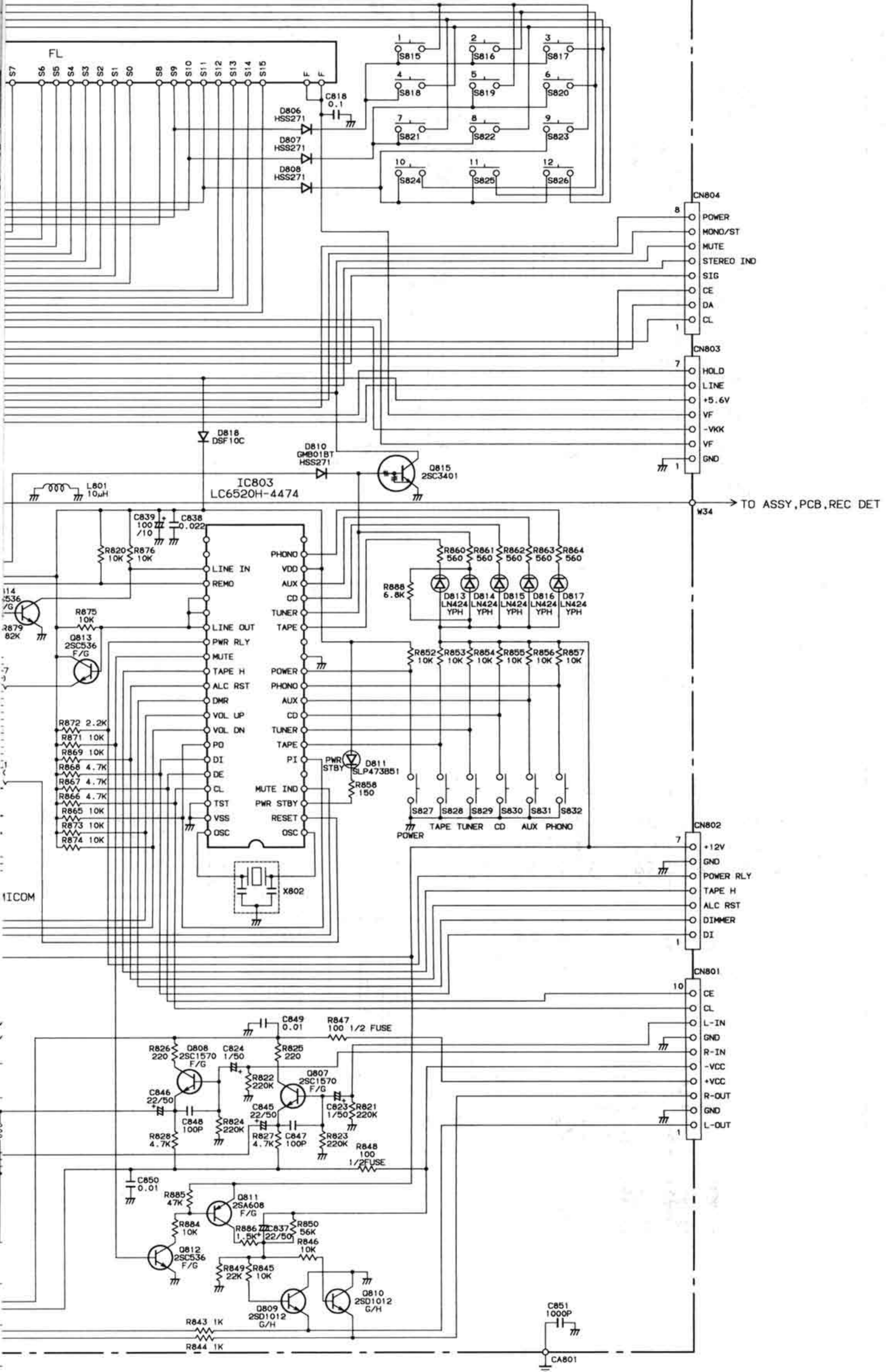
SCHEMATIC DIAGRAM (Front Co

ASSY,PCB,FRONT CO

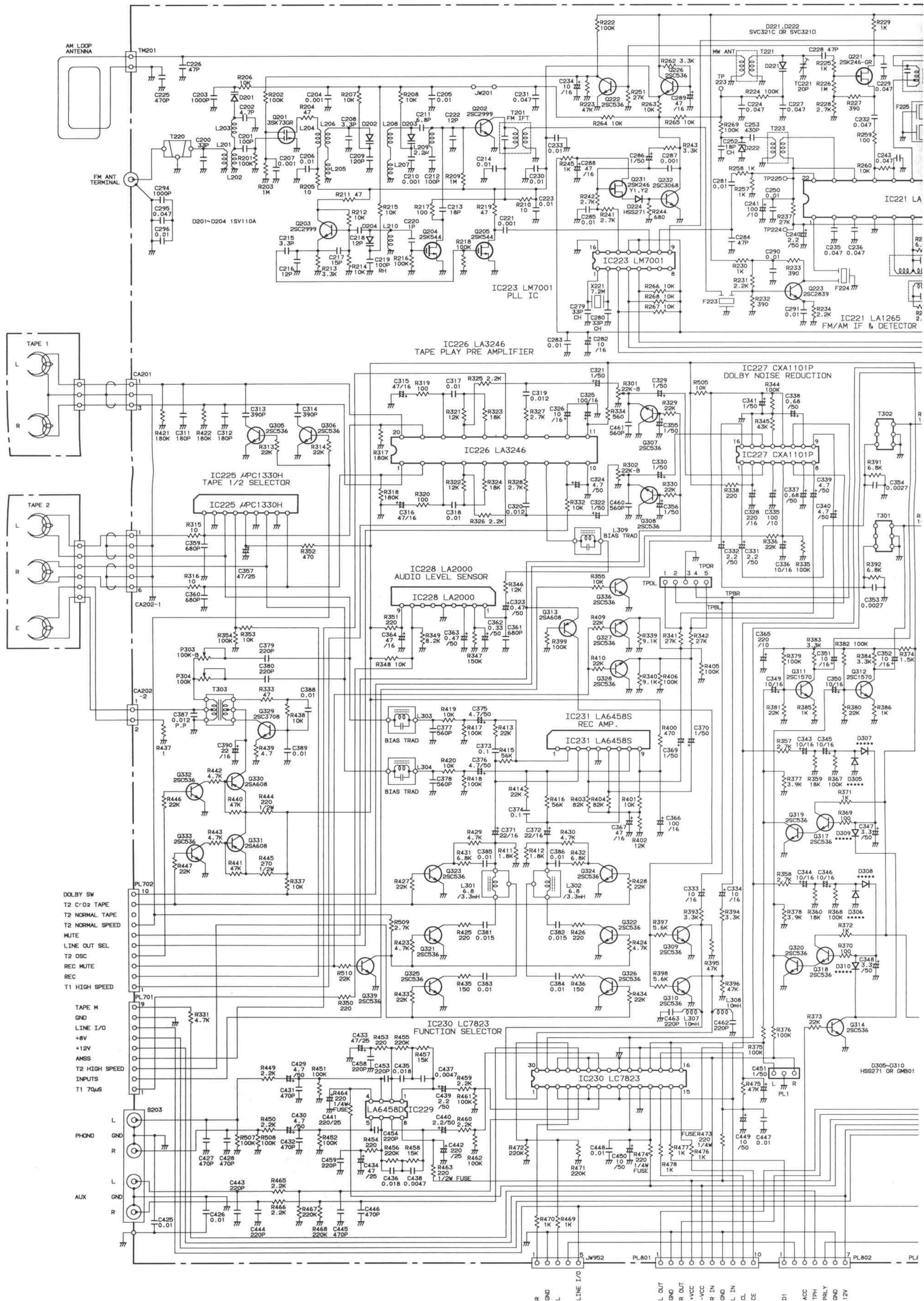


Front Control Section)

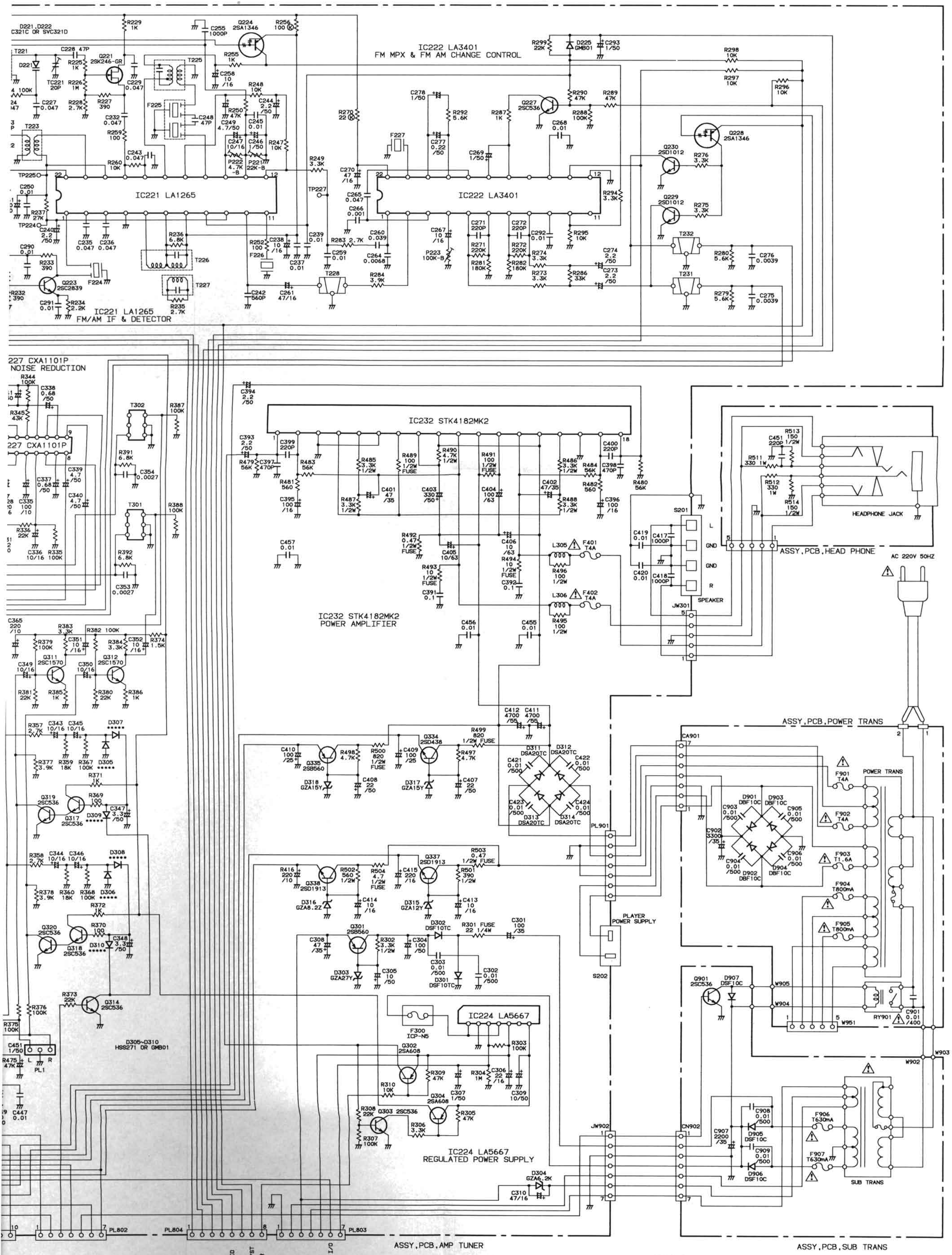
SY,PCB,FRONT CONTROL



TAD-M95 SCHEMATIC DIAGR



'IC DIAGRAM (Main Unit Section)



- NOTES:**
1. All resistors are 1/4 watt or 1/6 watt 5% unless marked. Otherwise Resistor values are in ohms (K=1000 ohms, M=1000k ohms).
 2. All capacitor values are in microfarads. (P=picofarads).
 3. Each DC voltage shows the nominal values in volts no input signal.
 4. This is a basic schematic diagram.